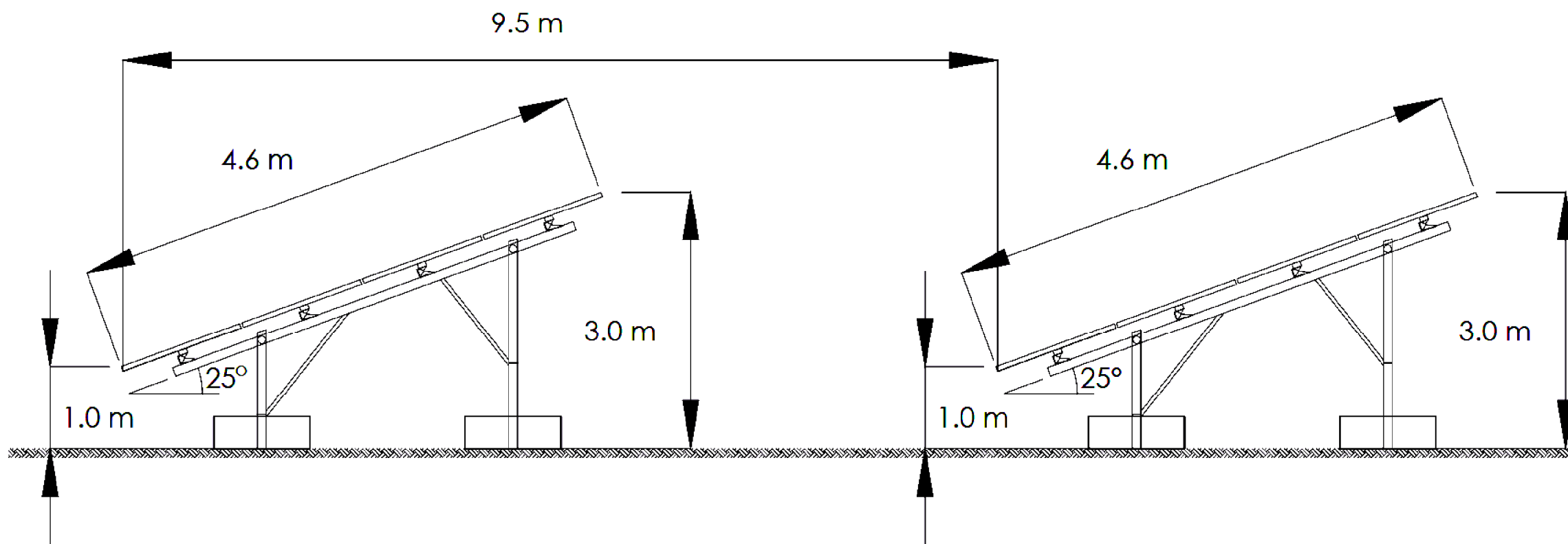




DO NOT SCALE

- 1. For indicative purposes only, not for construction
- 2. Final configuration and equipment pending detailed design



**INDICATIVE CROSS SECTION
(NOT TO SCALE)**



Client: **Cyngor Abertawe
Swansea Council**

Project: **Tir John Solar Development**

Title: **Indicative Cross Section of Solar Panels**

Date: 17 March 2022	Scale: NTS
Drawn: DP	Checked: SRC
Approved: DP	
Drawing Number: 70086399-002	